



figure **775**

ends form threaded angle



FULL LIFT SAFETY VALVE

body material	nominal pressure	nominal diameter	max. temperature	ex.index
B nodular cast iron	C 16 bar	DN 20-32	200°C	775



CE 1433

FEATURES

- valves made according PN EN ISO 4126-1
- high tightness

For valve with soft sealing

- quiet work of valve
- raised tightness of closure
- protection of disc sealing surface in front of stone settling as well as against any small mechanical dirt.

APPLICATION

- water
- air
- steam
- other neutral liquids, gases and vapours

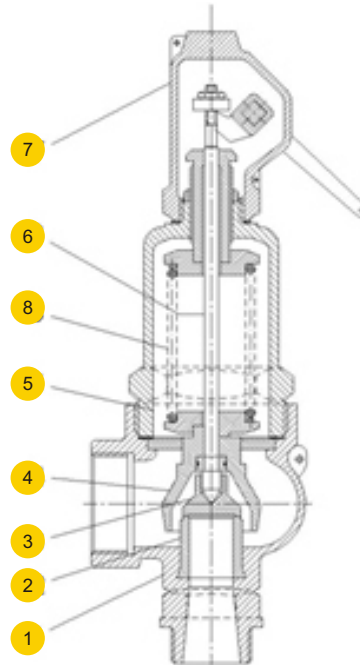
Data given can be changed without notice.

ZETKAMA
Group
Edition 11/2012



figure	775
ends form	threaded angle

MATERIALS



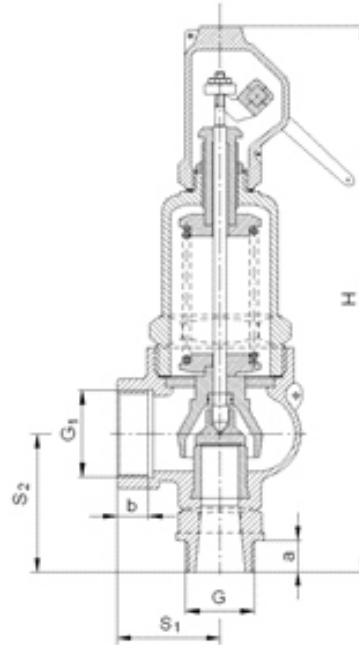
	body material	R	
	type	01-1, 02-1, 03-1, 04-1, 05-1, 06-1, 07-1, 08-1 (ex.775)	01-2(3), 02-2(3), 03-2(3), 04-2(3), 05-2(3), 06-2(3) 07-2(3), 08-2(3) (ex.775.11A)
1	body	EN-GJS-400-15 5.3106 (ex.JS 1030)	
2	seat	X39CrMo17-1	
3	disc	X39CrMo17-1	X39CrMo17-1/EPDM or /NBR
4	bell	X20Cr13	
5	bonnet	EN-GJS-400-15 5.3106 (ex.JS 1030)	
6	spindle	X20Cr13*	
7	lifting cap	EN-GJS-400-15 5.3106 (ex.JS 1030)	
8	spring	BI / 51CrV4	
	temperature range	-10...+200°C	-10...+120°C

* for marine execution (05, 06, 07, 08) stem made of: X17CrNi16-2



figure	775
ends form	threaded angle

DIMENSIONS



DN	D _o	A	G	a	G ₁	b	S ₁	S ₂	H	Opening pressure		
										min	max	
d1xd2	mm	mm ²	cal	mm	mm				bar		kg	
20x32	16	201	3/4	15	1 1/4	18	50	71	275	1,5	16*	3,0
25x40	20	314	1	18	1 1/2	20	54	80	320	1,5	16*	4,2
32x50	25	491	1 1/4	19	2	22	65	88	357	1,5	16*	5,4

* for steam boilers valid are restrictions according to WUDT-UC-WO-M - it is 10bar.

Data given can be changed without notice.



figure

775

ends
formthreaded
angle

DISCHARGE COEFFICIENTS

Type of valve	DN	For vapours and gases α		For liquids α_c			
		pressure range [bar]	$b_1=10\%$	$b_1 = 10\%$		$b_1 = 25\%$	for vapours and gases
				$1,5 \leq p < 5,0$ bar	$5,0 \leq p \leq 16$ bar	$1,5 \leq p \leq 16$ bar	$b_1 = 10\%$
775	20x32	$1,5 \leq p < 2,5$	0,73	0,03	0,27	0,27	0,36
		$2,5 \leq p < 16$	0,78				
	25x40	$1,5 \leq p < 2,3$	0,73				
		$2,3 \leq p < 16$	0,78				
	32x50	$1,5 \leq p < 1,9$	0,71				
		$1,9 \leq p < 3,5$	0,76				
		$3,5 \leq p < 16$	0,78				

NOTES

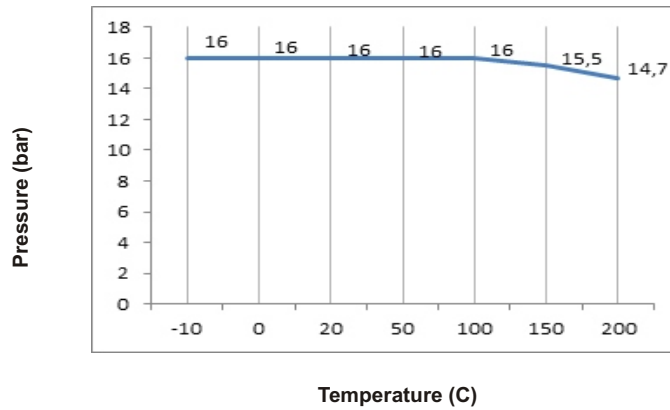
- If condensate accumulates, in the lowest point of blow-out installation should be foreseen dehydration. The dehydration in valve's body is made only on special request of the client. In case of liquids, the blow-out installation should be inclined
- The valve should be assembled in vertical position..



figure **775**

ends form threaded angle

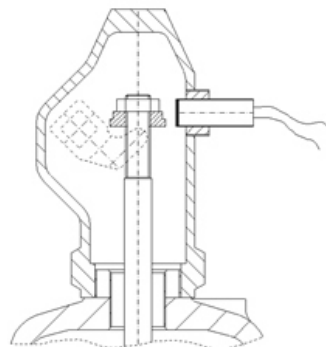
PRESSURE-TEMPERATURE RATINGS



Allowed working conditions range
PN 16 EN-GJS-400-15

BASIC DATA OF DETECTOR

- Working range [mm] 3 (M8); 6 (M12); 10 (M18)
- Supply tension [V] 10 + 30 DC
- Protection grade IP67 (M8); IP68 (M12 and M18)
- Working temperature -25 ÷ +70oC
- Standard length of cable [mm] 2000
- The other executions of detector for special order after co-ordination with manufacturer.
- Onto client's wish are used detectors working in range of temperature: -25 ÷ +230°C.



Data given can be changed without notice.