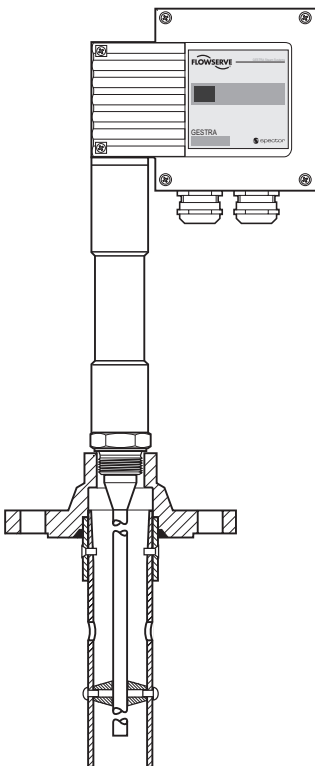


NRGT 26-1



NRGT 26-1S

Level Monitoring

NRGT 26-1 NRGT 26-1S For Marine Applications

Description

The level transmitter NRGT 26-1 / NRGT 26-1 S is a compact-type system consisting of a level measuring electrode and a level transmitter integrated in the terminal box.

The level transmitters NRGT 26-1 and NRGT 26-1S are used for continuous level monitoring in steam boilers and (pressurized) hot-water installations or in condensate and feedwater tanks.

In conjunction with the level switch NRS 2-.. and the level controller NRR 2-.. the transmitter can be used as water level controller with MIN/MAX alarm.

The level transmitter can be used in combination with the following level switches and controllers: NRS 2-50, NRS 2-51, NRR 2-50, NRR 2-51, NRR 2-52 and NRR 2-53.

Function

The level transmitter works according to the capacitance measurement principle and translates the level changes into a level-dependent current signal of 4-20 mA, with the length of the electrode rod determining the measuring range.

The level transmitter is installed inside steam boilers, vessels or in an external level pot. If the equipment is installed inside the boiler or vessel, a protection tube provided on side ensures correct functioning.

The level transmitter can be installed together with one GESTRA level electrode for water level limiting or for high-level alarm in a single protection tube or an external level pot.

The level transmitter can be used in electrically conductive and non-conductive fluids.

Directives and standards

VdTÜV Bulletin "Water Monitoring 100"

The level transmitter NRGT 26-1 is type approved acc. to VdTÜV Bulletin "Wasserstand 100" if used in combination with the following level switches / controllers: NRS 2-50, NRS 2-51, NRR 2-50, NRR 2-51, NRR 2-52 and NRR 2-53.

The VdTÜV Bulletin "Wasserstand (= Water Level) 100" specifies the requirements made on water level control and limiting equipment for boilers.

Approvals for Marine Applications

The level transmitter NRGT 26-1S is approved for marine applications.

LV (Low Voltage) Directive and EMC (Electromagnetic Compatibility)

The level transmitter NRGT 26-1 meets the requirements of the Low Voltage Directive 2006/95/EC and the EMC Directive 2004/108/EC.

ATEX (Atmosphère Explosible)

According to the European Directive 94/9/EC the equipment must not be used in potentially explosive areas.

Technical data

Service pressure

PN 40, 32 bar at 238°C

Mechanical connection

NRGT 26-61: Screwed G ¾ A, ISO 228

NRGT 26-1S: Flange DN 50, PN 40, DIN EN 1092-01

Materials

Screw-in body: 1.4571, X6CrNiMoTi17-12-2

Electrode rod insulation: PTFE

Terminal box: 3.2161 G AISI8Cu3

NRGT 26-1S: Flange 1.0460 P250GH

NRGT 26-1S: Spacer disc: PTFE

Length of installation / measuring range

NRGT 26-1		NRGT 26-1S	
Length of installation at 238° C	Measuring range	Length of installation at 238° C	Measuring range
373	300	316	275
477	400	420	375
583	500	526	475
688	600	631	575
794	700	737	675
899	800	842	775
1004	900	947	875
1110	1000	1053	975
1214	1100	1157	1075
1319	1200	1262	1175
1423	1300	1366	1275
1528	1400	1471	1375
1636	1500	1579	1475
2156	2000	2099	1975

Weight

NRGT 26-61: approx. 1.8 kg

NRGT 26-61S: approx. 8.0 kg

Electronic circuit board

Supply voltage

24 V AC/DC

AC +/- 20%

DC +10 / -45%

115 V +/- 10%, 50/60 Hz (option)

230 V +/- 10 %, 50/60 Hz (option)

Power consumption

3 VA at 24 V DC

5 VA at 24, 115, 230 V AC

Fuse

External slow-blow 0.5 A

Internal thermal fuse $T_{max} = 102^{\circ}C$

Sensitivity of response

Range 1: Water $\geq 0.5 \mu S/cm$

Range 2: Water $\geq 20 \mu S/cm$

Range 3: Fuel oil EL $\epsilon_r 2,3$

Output

Actual value 4 – 20 mA, level proportional. Electrically insulated, max. load 500 Ω

Level Monitoring

NRGT 26-1

NRGT 26-1S

For Marine Applications

Technical data - continued -

Indicators and adjusters-

- 2 red LEDs for signalling "Level 0 %" or "Level 100" within the measuring range,
- 1 green LED for signalling "Level between 0 % and 100 %" of measuring range.
- 1 code switch for selecting the measuring range.
- 2 adjustable resistors for small-percentage adjustment of the measuring range.
- 2 terminal lugs for voltage measurement.

Electrical connection

- 2 cable glands with integral cable clamp M20 x 1.5
- Screw-type terminal strip with 2 and 3 terminals, detachable, conductor size 1.5 mm²

Protection

IP 65 to DIN EN 60529

Max. admissible ambient temperature

Max. 70 °C

Storage and transport temperature

-40 to +80 °C

Approvals:

TÜV type approvals acc. to VdTÜV Bulletin "Wasserstand 100": Requirements made on water level limiting & control equipment.

Type approval no. TÜV · WR · 12-391, 12-425, 12-426, 12-427
 Marine applications: DNV A-12022, KR HMB 06190-MS002, NK TA11016M, BV 10617/CO, CCS HBT 0742 1062-1, RINA ELE 407609CS, GL 992499-96 HH, LR 98/20074 (E2)

Important Notes

Installation

- The level transmitter NRGT 26-1 can be installed together with one GESTRA level electrode for water level limiting or for high-level alarm in a single protection tube or external level pot (inside diameter 100 m). If the level limiting electrode is installed inside the vessel, it must be at least 40 mm away from the upper vent hole.
- The level transmitter shall be installed vertically.
- Do not cut the electrode rod.

Electrical connection

- **NRGT 26-..., 24 V AC/DC:** An external slow-blow fuse 0.5 A must be provided for the level transmitter. To connect the equipment use screened multi-core control cable with a min. conductor size 0.5 mm², e. g. LiYCY 4 x 0.5 mm², max. length 100 m.

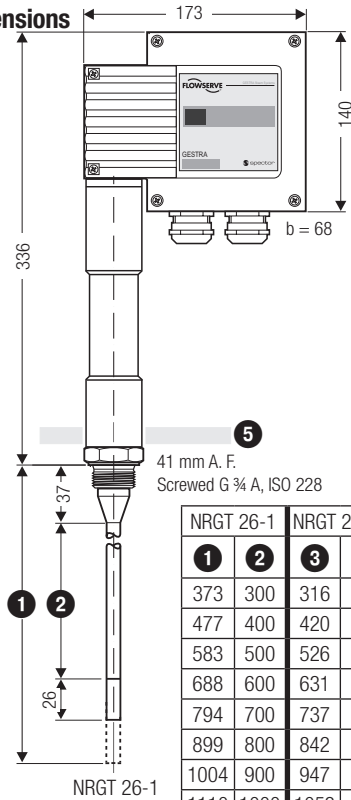
For the power supply of the level transmitter use a safety power supply unit (PSU), e.g. Siemens SITOP PSU100C 24V/0.6A, which must provide a level of isolation against voltages that at least meets the requirements for double or reinforced insulation as per DIN EN 50178 or DIN EN 61010-1 or DIN EN 60730-1 or DIN EN 60950 (electrically protective separation).

- **NRGT 26-..., 115/230 V AC:** An external slow-blow fuse 0.5 A must be provided for the level transmitter. To connect the voltage supply use a multi-core control cable with a min. conductor size 0.5 mm². To connect the actual value output use screened multi-core control cable with a min. conductor size 0.5 mm², e. g. LiYCY 2 x 0.5 mm², max. length: 100 m.

Install a disconnector for all poles. Make sure it is easily accessible and in the close proximity of the equipment (EN 61010-1).

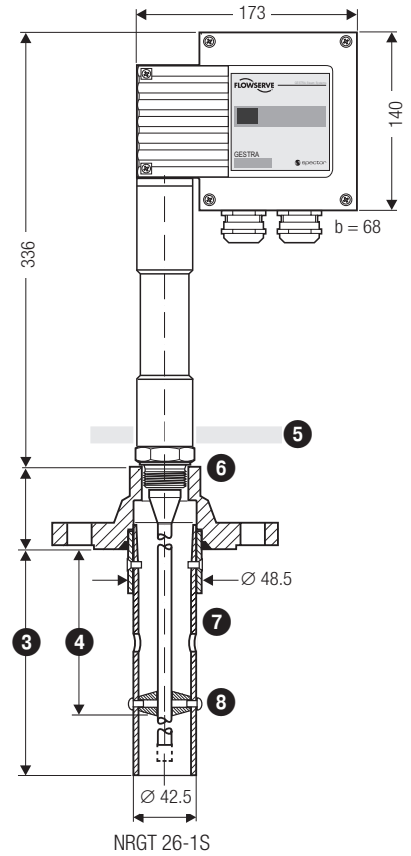
Mark this disconnecting switch as isolating device for the level transmitter.

Dimensions

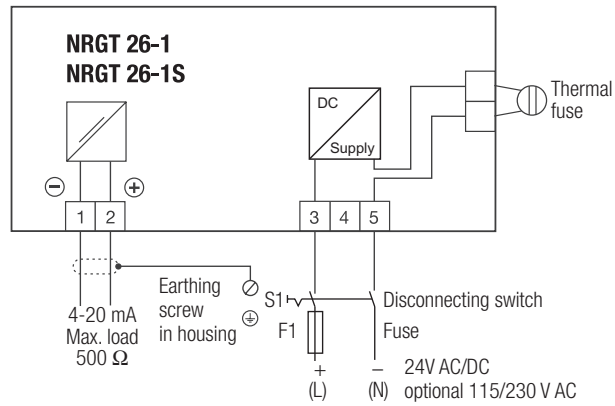


41 mm A. F.
Screwed G 3/4 A, ISO 228

NRGT 26-1		NRGT 26-1S	
1	2	3	4
373	300	316	275
477	400	420	375
583	500	526	475
688	600	631	575
794	700	737	675
899	800	842	775
1004	900	947	875
1110	1000	1053	975
1214	1100	1157	1075
1319	1200	1262	1175
1423	1300	1366	1275
1528	1400	1471	1375
1636	1500	1579	1475
2156	2000	2099	1975



Electrical connection



Important Notes

Electrical connection

- Any item of equipment that you want to connect to the terminals for the actual-value output 4 - 20 mA must be certified to have at least double or reinforced insulation according to DIN EN 50178 or DIN EN 61010-1 or DIN EN 60730-1 or DIN EN 60950 (safe electrical isolation) between the current loop and live parts of the equipment that are not supplied with safety extra-low voltage (SELV).
- Make sure that the connecting cable is segregated and runs separately from power cables. Please observe the max. load of 500 ohm.

Key

- 1 + 3 Max. length of installation at 238 °C
- 2 + 4 Measuring range
- 5 Thermal insulation, provided on site, d = 20 mm (outside of thermal insulation of steam boiler)
- 6 Flange DN 50, PN 40, DIN EN 1092-01
- 7 Protection tube
- 8 Spacer disc

Level Monitoring
NRGT 26-1
NRGT 26-1S
For Marine Applications

Order & Enquiry Specification

GESTRA Level transmitter NRGT 26-1
 PN 40, screwed G 3/4
 Length of installation.....mm
 Supply voltage
 Fluid

GESTRA Level transmitter NRGT 26-1S
 PN 40, DN 50
 Length of installation.....mm
 Supply voltage
 Fluid

**Associated switch / controller,
 associated power supply unit**

- Level switch NRS 2-50, NRS 2-51
- Level controller NRR 2-50, NRR 2-51
- Level controller NRR 2-52, NRR 2-53
- Power supply unit SITOP PSU100C 24V/0,6A

Key

- 12 Flange PN 40, DN 50, DIN EN 1092-01 (for one electrode)
 Flange PN 40, DN 100, DIN EN 1092-01 (for electrode combination)
- 13 For the approval of the boiler standpipe with connecting flange the relevant regulations must be considered.
- 14 Vent hole
 Provide vent hole as close to the boiler wall as possible!
- 15 High water HW
- 16 Electrode rod
- 17 Protection tube DN 80 (in France according to AFAQ ≥ DN 100)
- 18 Protection tube DN 100
- 19 Distance between electrode rod and protection tube ≥ 14 mm
- 20 Distance between electrode tip (NRG 1...-50 or NRG 1...-51) ≥ 14 mm (creepage distances and clearances)
- 21 Low water LW
- 22 Reducer DIN 2616-2, K-88.9 x 3.2-42.4 x 2.6 W
- 23 Reducer DIN 2616-2, K-114.3 x 3.6-48.3 x 2.9 W
- 24 Level pot ≥ DN 80

Examples of installation

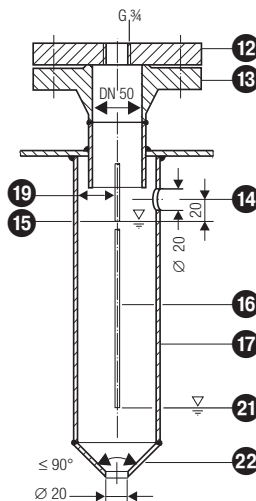


Fig. 5 Protection tube (provided on site) for installation inside the boiler

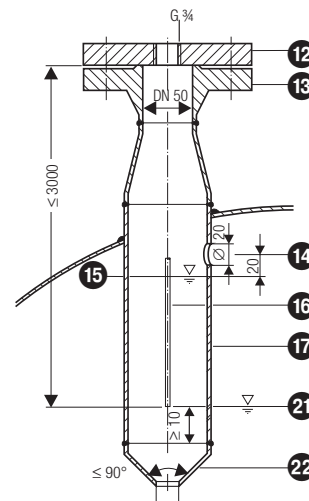


Fig. 6 Protection tube (provided on site) for installation inside the boiler

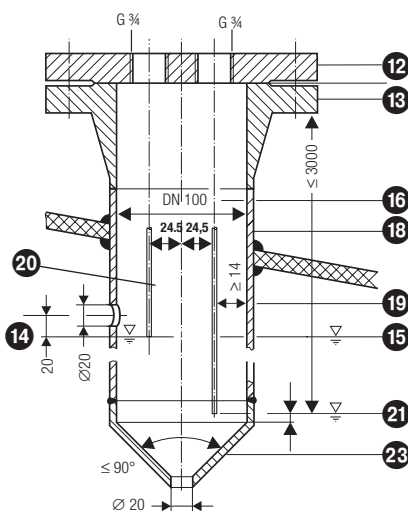


Fig. 7 Protection tube (provided on site) for installation inside the boiler and in combination with other GESTRA equipment

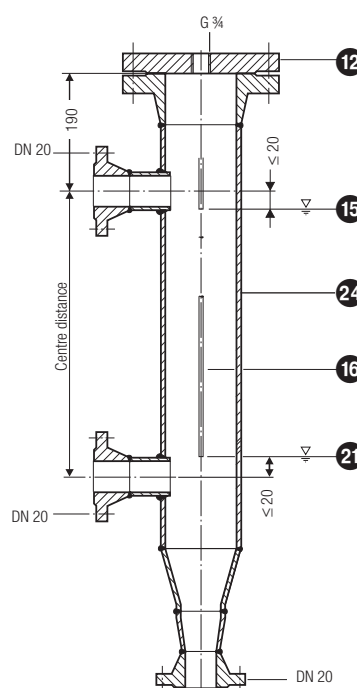


Fig. 8 External level pot

Supply in accordance with our general terms of business.

GESTRA AG

P. O. Box 10 54 60, D-28054 Bremen
 Münchener Str. 77, D-28215 Bremen
 Tel. 0049 (0) 421 / 35 03-0, Fax 0049 (0) 421 / 35 03-393
 E-mail gestra.ag@flowserve.com, Web www.gestra.com

